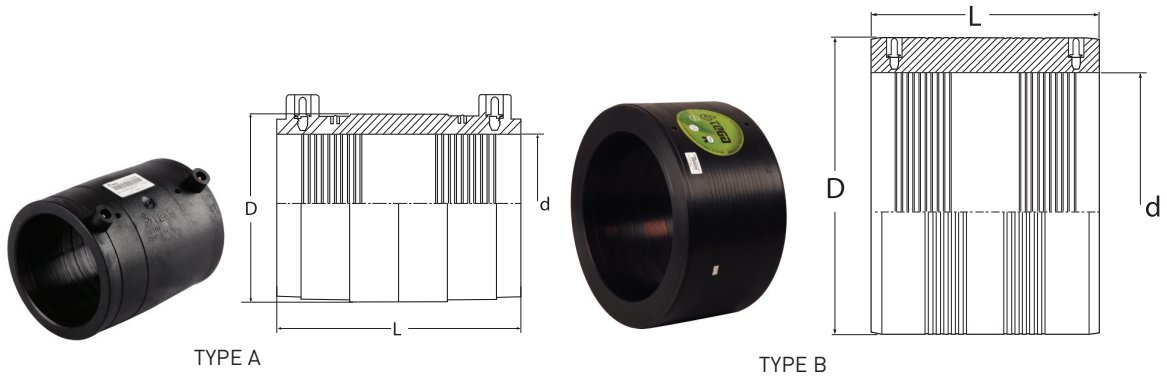


EF COUPLER / EF MANŞON

SDR 6 PE100
WATER / SU : 32 BAR



d	CODE	Kg.	D (mm)	L (mm)	box sizes	nos/box	tip
63	30.MA1.00.06.0063	0.48	97	118	30*40*30	24	A
75	30.MA1.00.06.0075	0.85	115	150	30*40*30	13	A
90	30.MA1.00.06.0090	1.50	142	167	60*40*30	20	A
110	30.MA1.00.06.0110	2.60	180	170	60*40*45	12	A
125	30.MA1.00.06.0125	2.70	195	161	60*40*45	12	A
140	30.MA1.00.06.0140	3.60	220	166	60*40*45	10	A
160	30.MA1.00.06.0160	5.30	250	190	60*40*45	8	A
180	30.MA1.00.06.0180	5.80	270	190	60*40*45	4	B
200	30.MA1.00.06.0200	8.00	305	200	60*40*30	2	B
225	30.MA1.00.06.0225	10.30	345	200	60*40*45	3	B
250	30.MA1.00.06.0250	13.60	380	220	60*40*45	3	B
280	30.MA1.00.06.0280	17.70	430	220	60*40*45	2	B
315	30.MA1.00.06.0315	22.75	480	230	60*40*45	2	B
355	30.MA1.00.06.0355	33.00	545	255	60*60-33	1	B
400*	30.MA1.00.06.0400	49.00	615	300	60*60*33	1	B
450*	30.MA1.00.06.0450	64.00	685	320	60*60*33	1	B

* Manşonun her iki tarafı ayrı kaynak olmaktadır. (2 ends of coupler fused separately)

** No box is used. Only Euro pallets are being used.